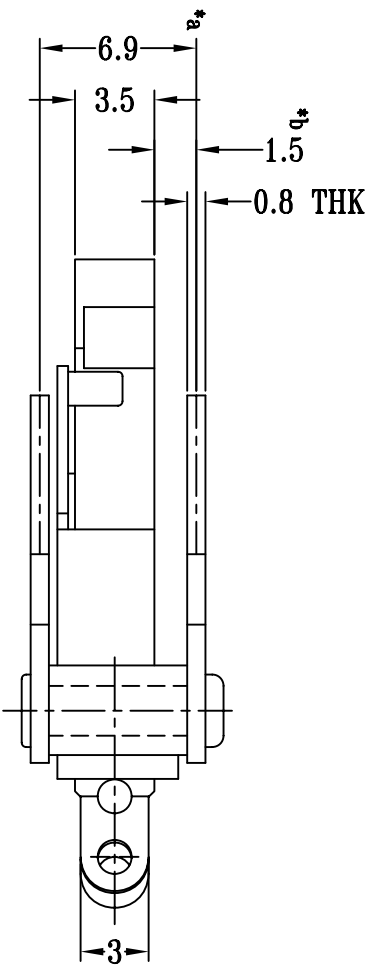
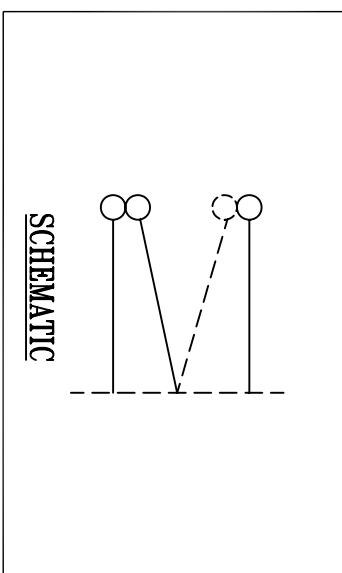
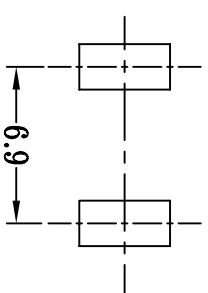
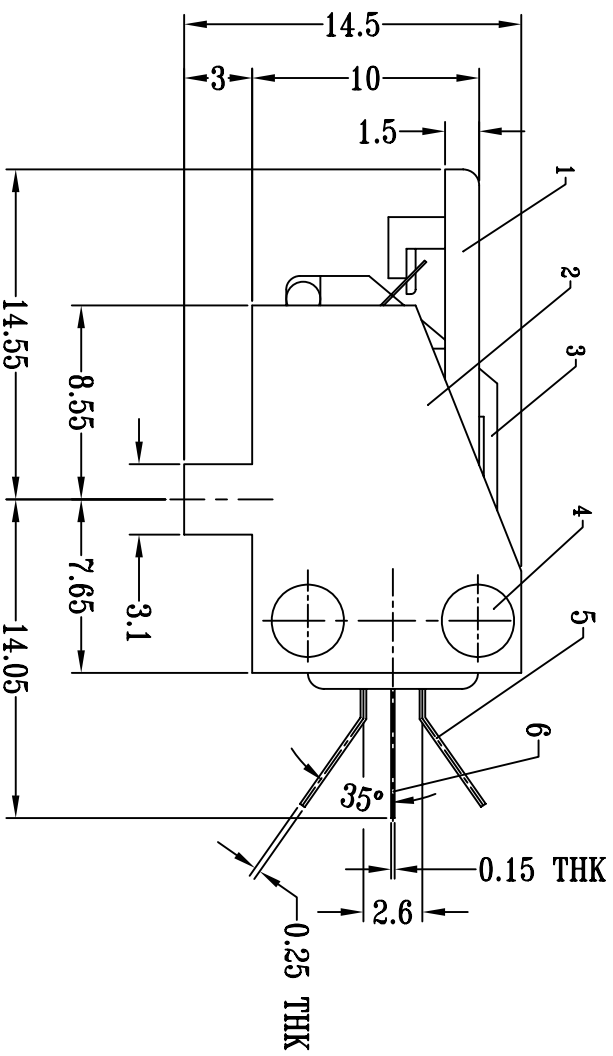




CAD FILE:



注:带"*"表示关键尺寸(2个)

P.C.B LAYOUT

MODEL	SPRING PLATE
LF-28BR1	G= GOLD
	N= NICKEL
	S= SILVER
	X= NIL

8	SPRING PLATE	PBS STRIP	1	NATURAL	TOLERANCE UNLESS SPECIFIED		SHENZHEN XIEJIA ELECTRONICS CO.,LTD.	
7	CONTACT	SILVER	1	NATURAL	WITHIN: 1.5±0.1mm	ISSUE	DATE	DESCRIPTIONS OF REVISION
6	SPRING TERMINAL	PBS STRIP	1	NATURAL	OVER: 1.5±0.2mm			APPD.
5	TERMINAL	BRASS STRIP	2	Ag PLATED OVER Ni PLATED	TITLE : LEAF SWITCH		UNIT : mm	DRWG NO.: XJ-DR-1F28BR1-00
4	RISET	ALUMINUM	2	NATURAL	MODEL: 1F-28BR1		SCALE: 3:1	DWN. ZHOUYU
3	COVER	POM	1	BLACK	ALL MATERIALS MUST BE COMPLIANT TO ROHS			CHK'D FANGYING
2	FRAME	STEEL STRIP	2	Ni PLATED				APPD. KANGXIAN
1	CASE	POM	1	BLACK				2001-5-6
NO.	PARTS	MATERIALS	q'ty	FINISH				2001-5-6